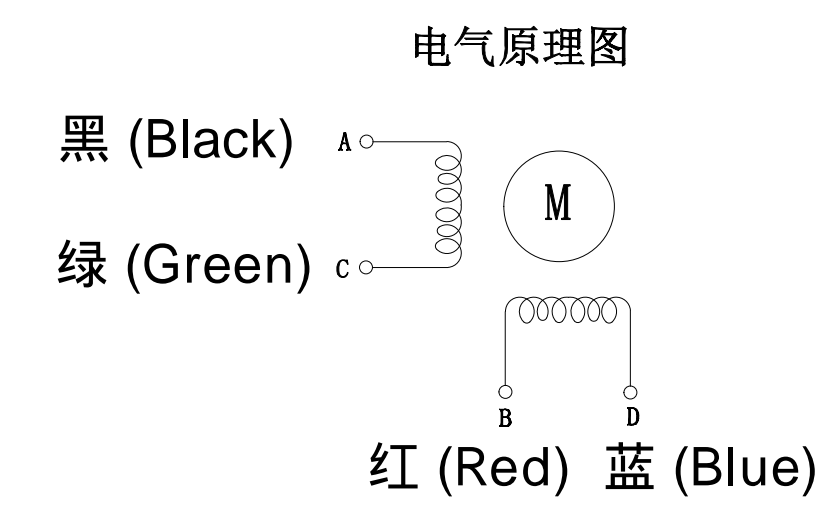


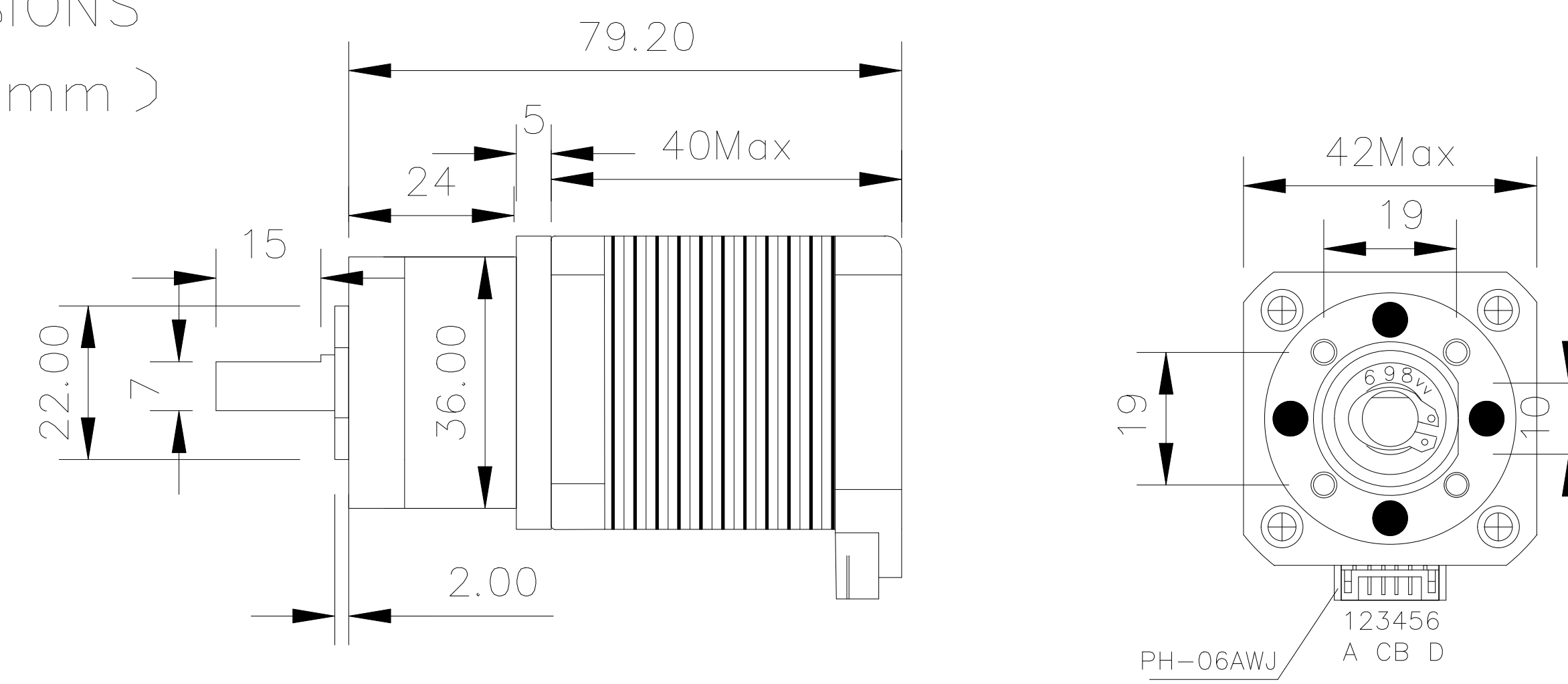
HYBRID STEPPING MOTOR MOD.42BYGH40-18-22A-C5.18

□ COLORS OF LEAD WIRES



□ DIMENSIONS

(unit=mm)



□ SPECIFICATIONS

PHASE	相数	2	
STEP ANGLE	步距角	1.8	°/STEP
VOLTAGE	电压	3.4	V
CORRENT	电流	1.0	A/PHASE
RESISTANCE	电阻	1.7 ± 10%	ohm / PHASE
INDUCTANCE	电感	4.3 ± 20%	mH / PHASE
HOLDING TORQUE	保持力距	3600	g · cm
DETENT TORQUE	定位力距	400	g · cm
INSULATION CLASS	绝缘等级	B	
LIFE	寿命	6000	